



## ZG2

### Smart Gateway

The smart gateway is the control center of the security alarm system. Users can add, manage and control Zigbee sensors through the gateway. The alarm messages of the sensors are all reported by the gateway to the Imou cloud platform, and finally pushed to the user APP.



#### Minimalist design

Smaller volume and lighter weight



#### One-key configuration

Switch Home/Away/Disarm mode with one click



#### Remote APP control

Configure and view the state of the gateway through the APP



#### Local area network linkage

After the configuration, the home without network can still alarm



#### 32-way sub-device access

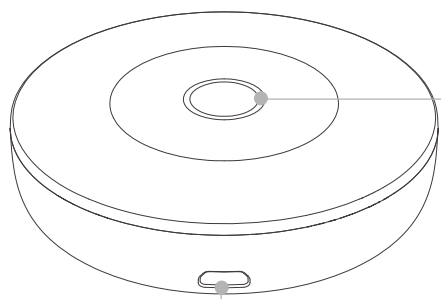
A maximum of 32 sub-devices can be configured under the gateway



#### Built-in Siren

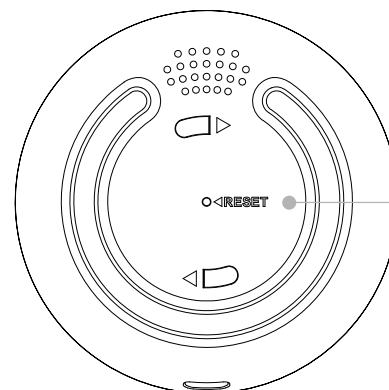
Remind your family of the alarm by sound

## Overview



Power Port

LED Indicator / Function Button



Reset Button

## Specifications

---

### General

Operating Voltage : DC 5V  
Operating Temperature : -10~55°C  
Operating Humidity : 0~95%RH, no condensation  
Installation Method: desktop mounted  
Appearance Size:  $\phi$ 74.8x24mm  
Weight: 60g

### Network

Wireless Protocol : Wi-Fi IEEE 802.11 b/g/n 2.4GHz , Zigbee3.0

## What's in the box

---

- 1x Smart Gateway
- 1x USB Cable

- 1x Quick Start Guide
- 1x Power Adapter

