

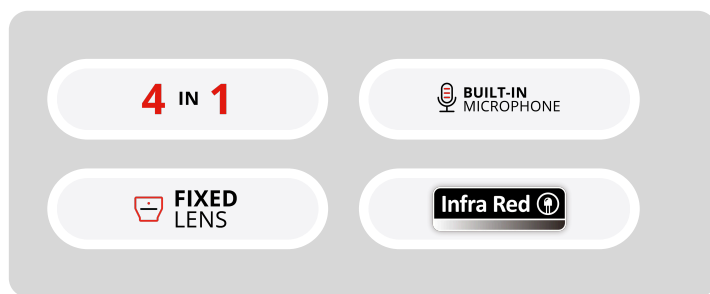
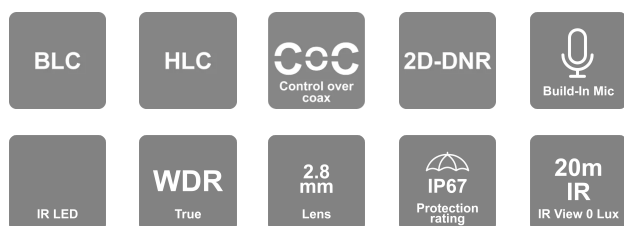
Basic

conditions. The series can count on both increased wide dynamic range and top-quality sensors. Ultra-cameras find their best

I2-33K0AB-28

20m IR 3K Fixed Lens Small Bullet Camera

Equipped with a 2.8mm fixed lens, this 3K Bullet camera is designed for short-distance surveillance systems (up to 20m) for indoor and outdoor scenarios. Featuring 4in1 technology selectable by the camera COC menu, the I2-33K0AB-28 is the better choice for entry-level installations.



MAIN FEATURES

- I2-33K0AB-28 20m IR 3K Fixed Lens Small Bullet Camera
- Sensor: 1/2.5" 3K CMOS Sensor
- Selectable Output: 3K: 2944 × 1656 AHD/TVI 4MP: 2560×1440 AHD/TVI/CVI CVBS: 700TVL
- Lens: 2.8mm Mega-Pixel Fixed (98°)
- True Day&Night-ICR
- Digital WDR

- 2D-DNR/Digital WDR/HLC/BLC
- Illumination: 20m (2 High-Power IR LED)
- IP67
- Weight: 270g
- Power: DC12V/200mA



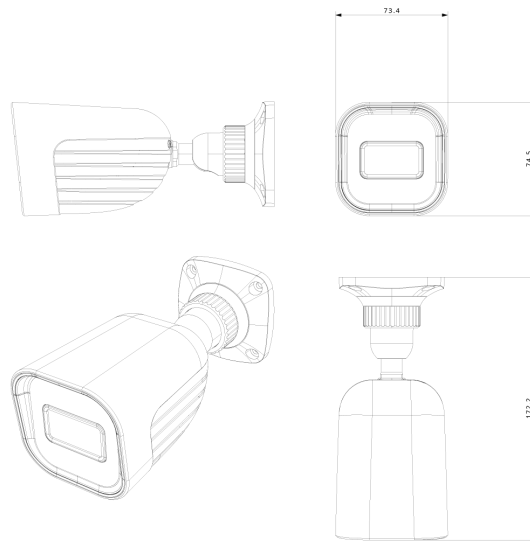
<https://provision-isr.com>

SPECIFICATIONS

Video	
Image Sensor	1/2.5" 3K CMOS Sensor
Image Format	16:9
Effective Pixels	2944 × 1656
Scanning System	Progressive
Min. Illumination	Color: 0.01lux @F1.2, AGC on B/W: 0lux with IR
Day & Night	True Day&Night-ICR
Day & Night Modes	Ext/Auto/Day/Night
Compression	
Resolution	3K: 2944 × 1656 AHD/TVI 4MP: 2560x1440 AHD/TVI/CVI CVBS: 700TVL
Frame Rate	3K @ 20FPS, 4MP @ 25FPS
Image	
Backlight Compensation	BLC
S/N Ratio	≥52dB (AGC off)
Privacy Zone	no
Noise Reduction	2D-DNR
Image Enhancement	Digital WDR, BLC, HLC, ROI
On Screen Data	
CoC Support	Yes
OSD Menu	Available via CoC only
Lens	
Field of View	2.8mm Mega-Pixel Fixed (98°)
Iris	Fixed Iris
Lens Mount	M12 Mount

Connectivity	
Video Output	3K / 4MP (Selected by OSD Menu) AHD/TVI/CVI/CVBS + PAL/NTSC (Selected by OSD Menu)
Audio Connectivity	Built-in Microphone
Housing	
Illumination	20m (2 High-Power IR LED)
Bracket	3-Axis Bracket
Protection Rate	IP67
Dimensions	172.2*73.4*74.5mm
Weight (gross)	270g
Power	DC12V/200mA
Work Environment	-30°C ~ 50°C , 10% ~ 90% humidity

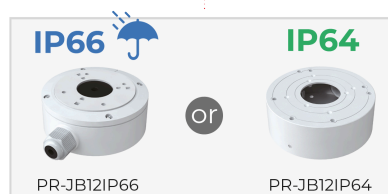
DIMENSIONS



ACCESSORIES



+



+

